

LiThem

PL-300

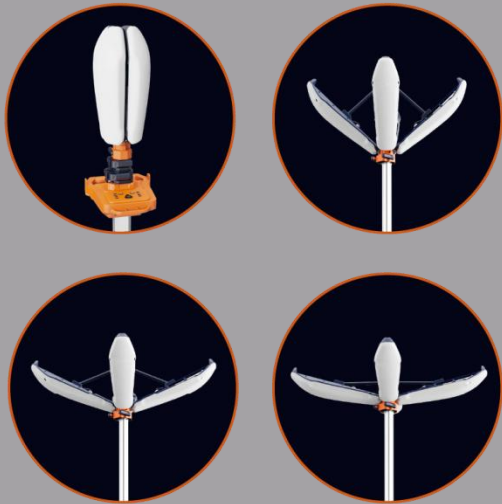
Deployable portable lighting in one
bespoke robust package.

Petal
Light
Tower

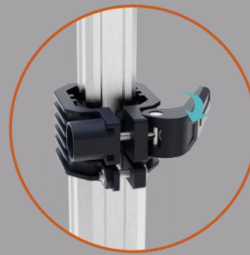


HIGHER, BRIGHTER, MORE STABLE

10-second rapid expansion, easy adjustment
of four lighting angles.

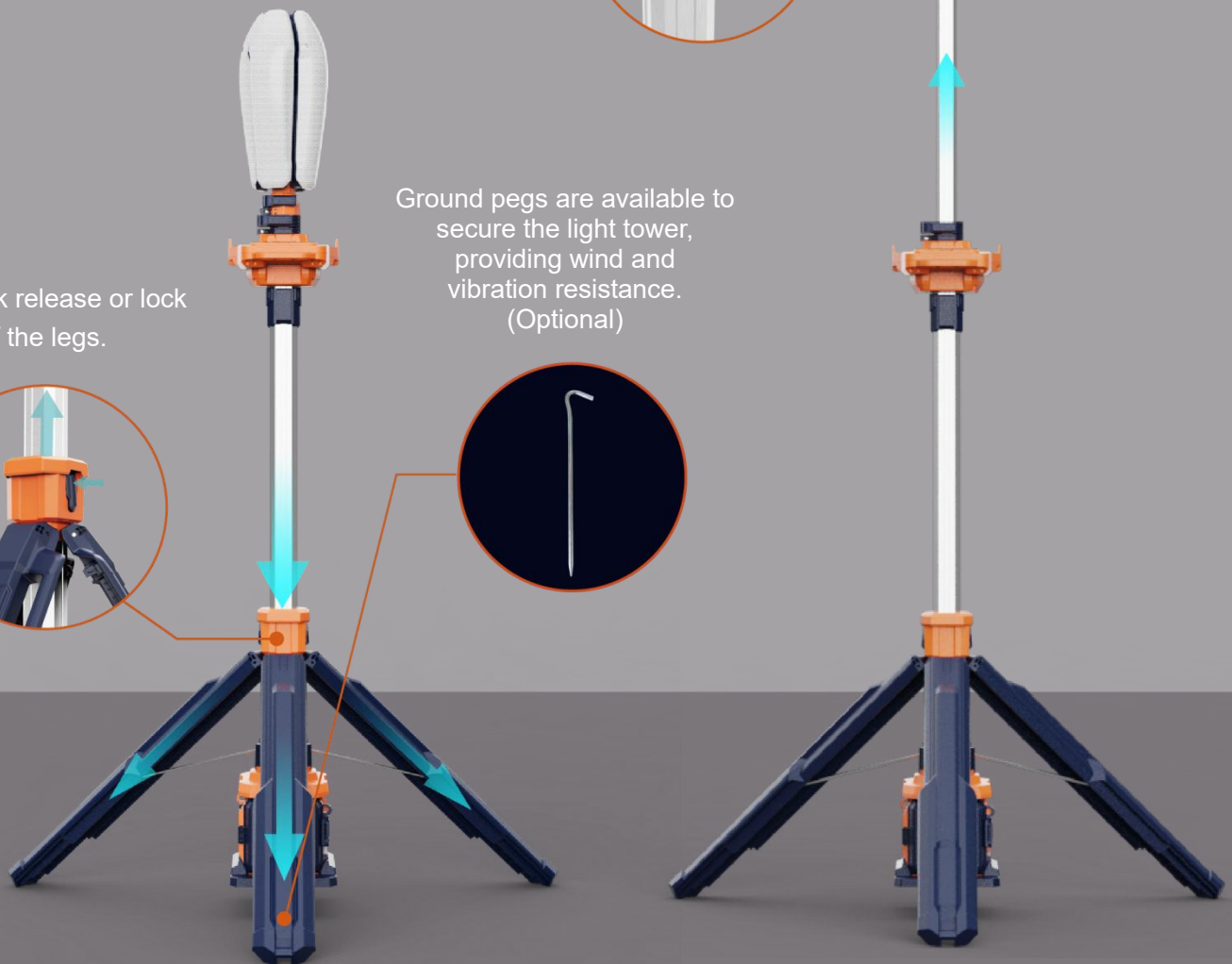
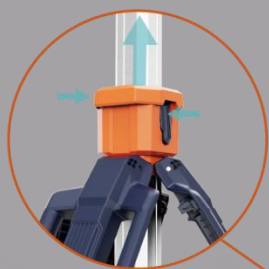


Original petal-shaped adjustable head
offers 360-degree wide-angle
illumination, from all directions to
directly below the light.

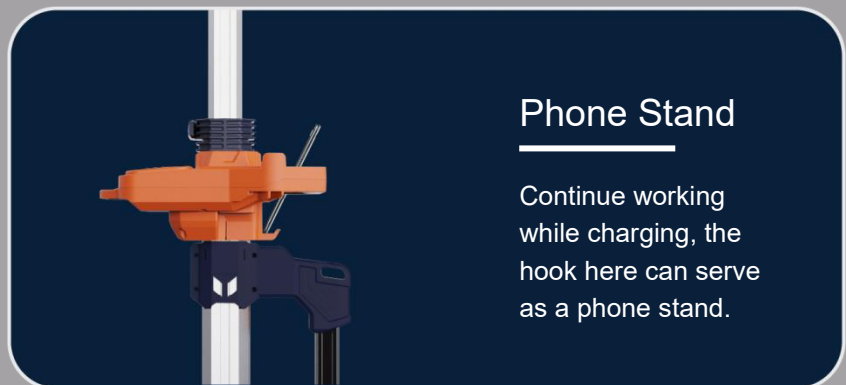
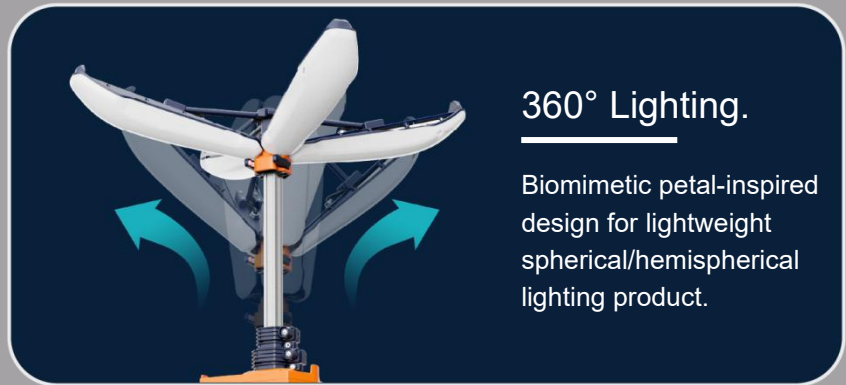
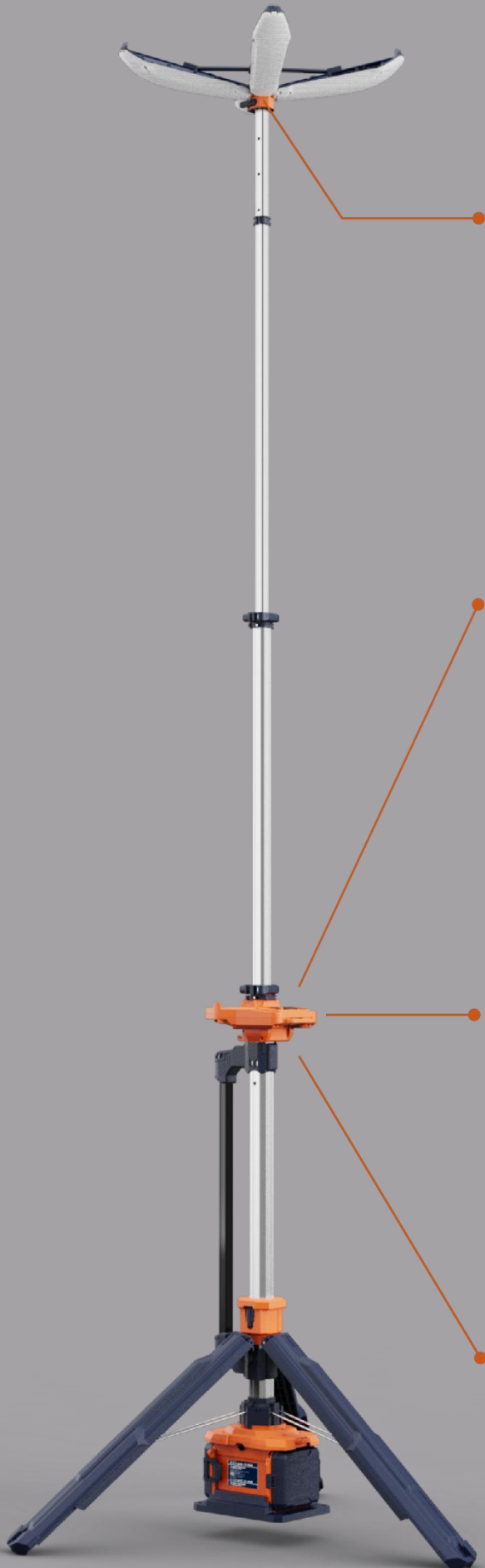


Ground pegs are available to
secure the light tower,
providing wind and
vibration resistance.
(Optional)

One-click release or lock
of the legs.



HUMANIZED DESIGN HIDDEN IN THE DETAILS



LOWER CENTER OF GRAVITY, GREATER STABILITY

Ultra-low center of gravity combined with extended legs effortlessly handles strong winds and slopes within 30 degrees.



Ultra-long working hours

Standard Mode Up To **13+** Hours
(D24-100)

Battery compartment fits two replaceable battery packs.



2 types of battery packs with different capacities have same contact slot.



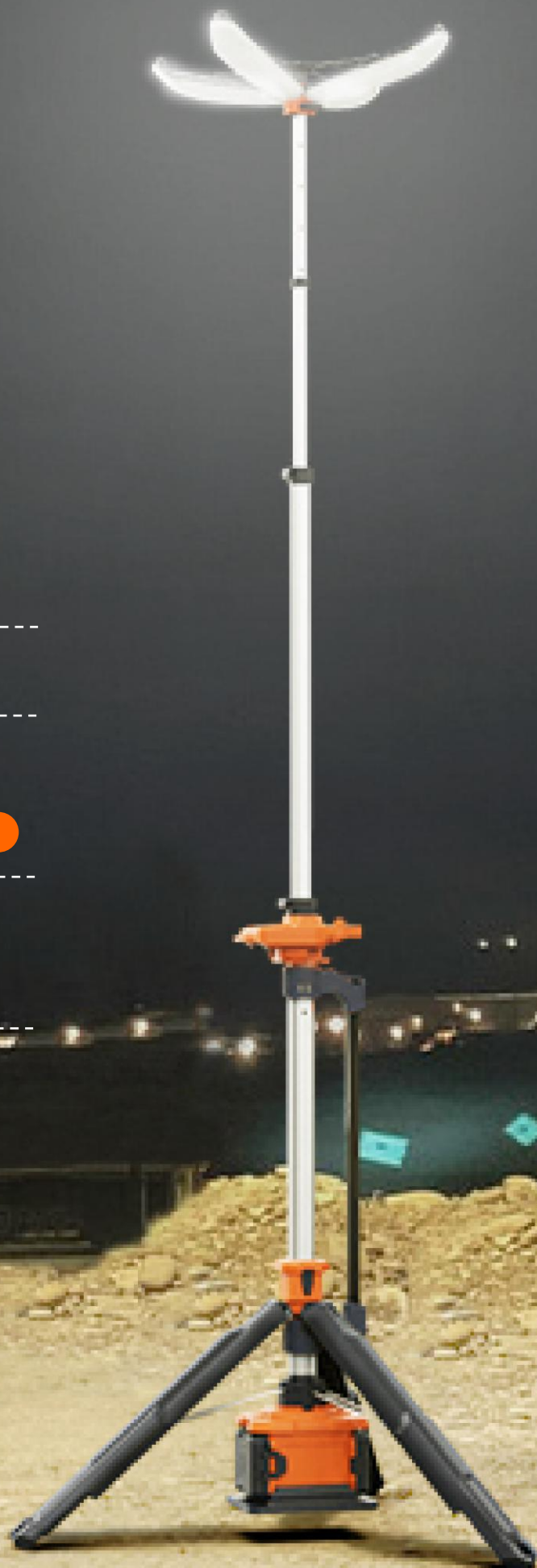
D24-54



D24-100

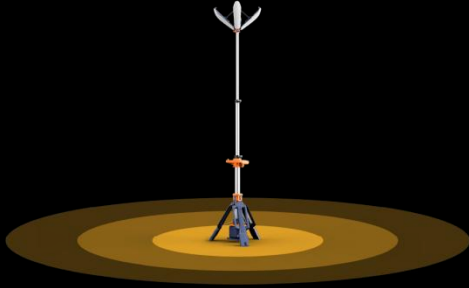
Typical working hours 35+ hours on PL-300 Eco mode.

Doubled typical working hours to 70+ hours.



Uniform and non-glaring 360-degree illumination, leaving no dark spots.

- Lighting Area 2200 m²



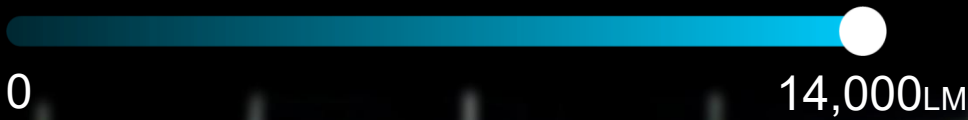
AC Powered

Up To **14,000** LM

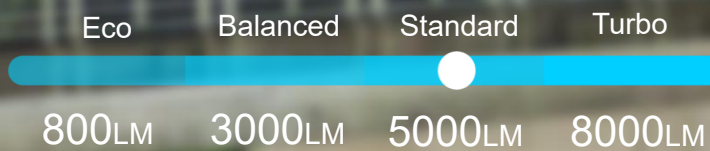
Battery-powered

Up To **8,000** LM

Stepless Dimmable (AC Powered)



4 levels of Brightness (Battery Powered)





Construction



Maintenance



Rescue



Emergency



Railway



Mining



Camping



Sport

Designed for single-person operation

Easy to grip and move,
weight 8.7 kg excluding battery pack.



1.58m

3.4m



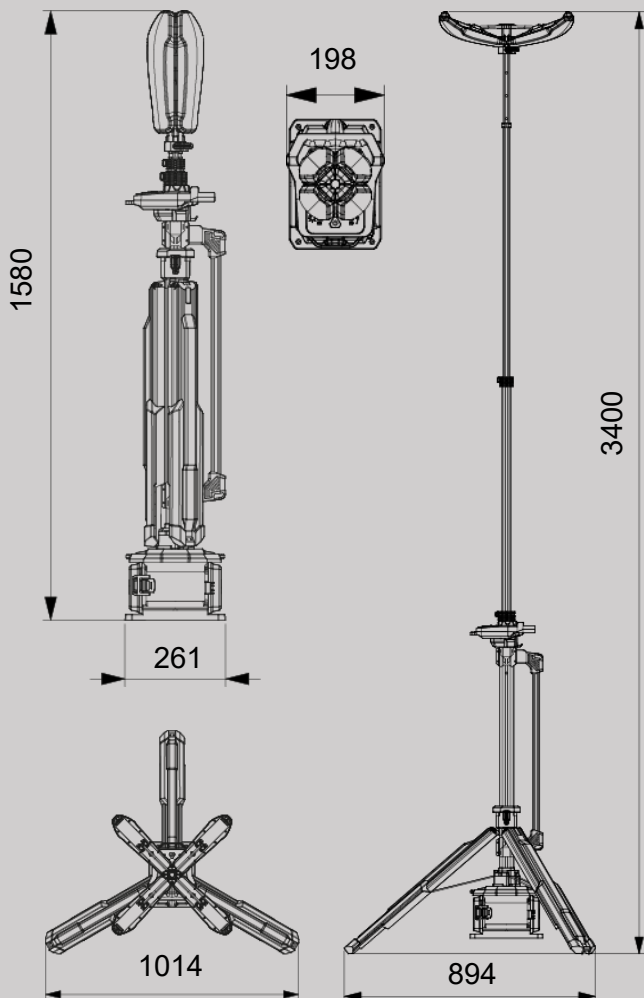
Specifications

PL-300

Height	1.58m~3.4m
Weight	8.67Kg (Fitting only)
Power Supply	D24 series battery pack / AC 100-277V
Lumens	0 - 14,000Lm
Run Times	>13 hours (Standard mode, D24-100)
IP Grade	IP66
Output(USB)	5V 2A (2 Dock)

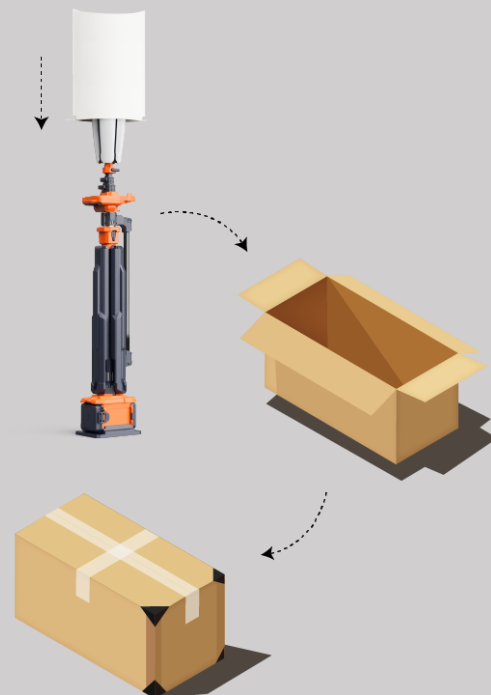


Size (mm)



Package

Model	PL-300
Size of Carton	1660x290x380mm
Gross Weight of Carton	11.5KG
PCS/Carton	1



Équipements Lithem inc.

Tel: 514-213-9443

Web: www.lithem.ca

E-mail: benoit@lithem.ca

LiThem